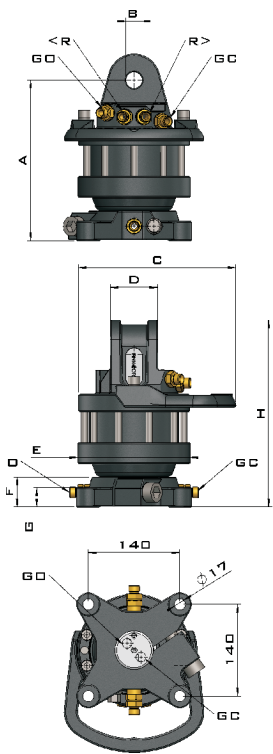
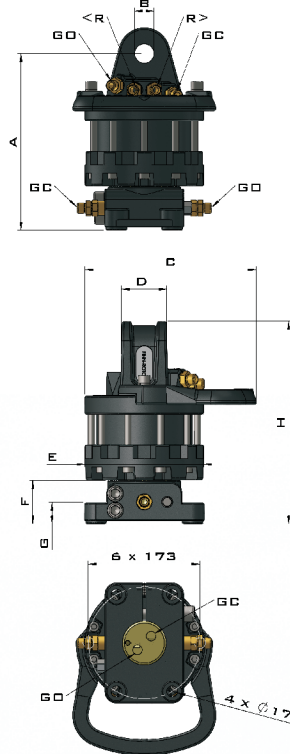


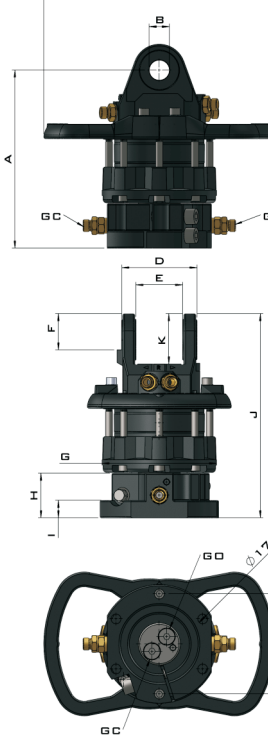
CR300F/400F



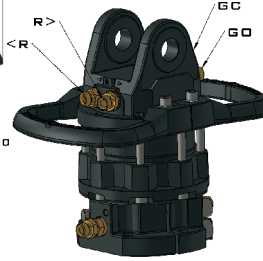
CR500F



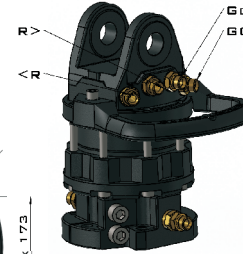
CR600F



CR 600FX



CR 600FW



CR 300F

	MM	IN
A	232	9,134
B	25	0,984
C	234	9,213
D	60	2,362
E	158	6,220
F	46	1,811
G	30	1,181
H	267	10,512

CR 400F

	MM	IN
A	246	9,665
B	25	0,984
C	241	9,488
D	73	2,874
E	172	6,772
F	46	1,811
G	30	1,181
H	286	11,26

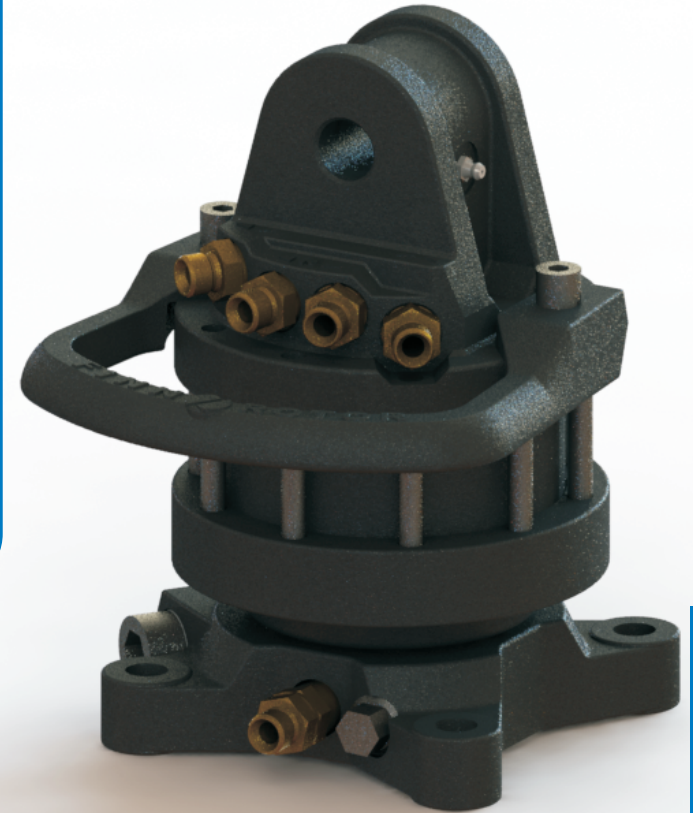
CR 500F

	MM	IN
A	273	10,748
B	30	1,181
C	234	10,472
D	73	2,874
E	184	7,244
F	67	2,638
G	33	1,299
H	313	12,323

CR 600F

	MM	IN
A	308	12,126
B	35	1,378
C	400	15,748
D	130,5	5,138
E	80,5	3,169
F	62,5	2,461
G	198	7,795
H	77	3,031
I	30	1,181
J	353	13,898
K	87	3,425

\* GO CHANNEL MARKED BY "O"



	CR 300F		CR 400F		CR 500F		CR 600F	
ROTATION ANGLE	UNLIMITED		UNLIMITED		UNLIMITED		UNLIMITED	
MAX PRES (R) [BAR/PSI]	250	3625	250	3625	250	3625	250	3625
MAX PRES (GO) [BAR/PSI]	200	2900	200	2900	200	2900	200	2900
MAX PRES (GC) [BAR/PSI]	300	4350	300	4350	300	4350	300	4350
DISPLACEMENT [CM <sup>3</sup> /IN <sup>3</sup> ]	330	19,8	420	25,2	465	27,9	465	27,9
TORQUE [NM/LBF IN]	900	664	1100	811	1400	1033	1400	1033
MAX AXIAL LOAD STAT [KN/LBF]	30	6744	40	8992	55	12365	55	12365
MAX AXIAL LOAD DYN [KN/LBF]	15	3372	20	4496	25	5620	25	5620
WEIGHT W-MODEL [KG/LB]	22	48,4	28	61,6	33	61,6	48	106
X-MODEL [KG/LB]							50	110
CONNECTIONS (UPSIDE)	G3/8"	G3/8"	G3/8"	G3/8"	G3/8"	G3/8"	G1/2"	G1/2"
(UNDERSIDE)	G1/4"	G1/4"	G3/8"	G3/8"	G3/8"	G3/8"	G1/2"	G1/2"
REC. OIL FLOW [LPM/GPM]	20	5,284	20	5,284	20	5,284	25	7

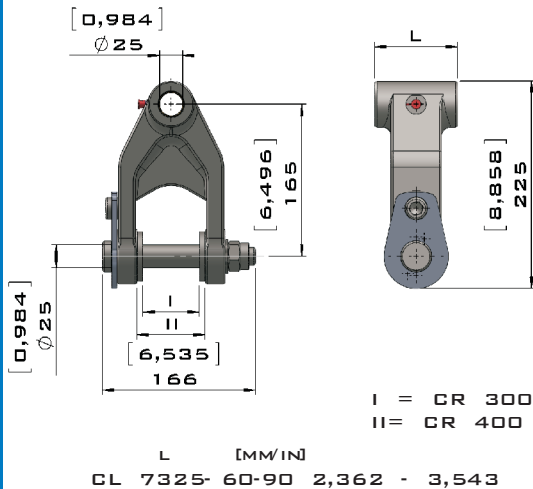


A LIGHT-WEIGHT AND EFFECTIVE HYDRAULIC ROTATORS WITH UNLIMITED ROTATION FOR AGRICULTURAL, CARGO AND FOREST CRANES.

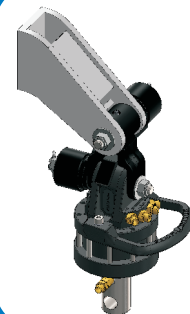
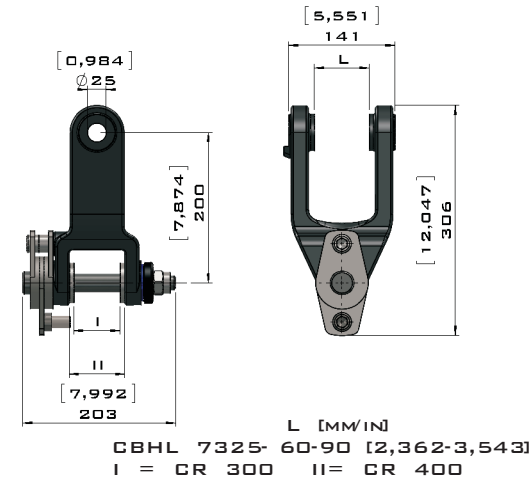
CHOOSE GENUINE **FINN ROTOR** ORIGINAL ACCESSORIES TO ENSURE SMOOTH WORKING. FROM THE WIDE VARIETY, YOU WILL FIND ALL NECESSARY ACCESSORIES, LINKS AND BRAKELINKS.

*and get Your crane moving!*

CL - LINK



CBHL - SINGLE BRAKING LINK

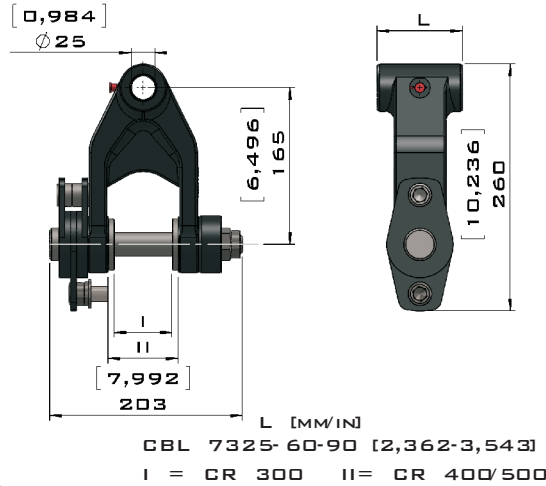


SD -DOUBLE BRAKING LINK

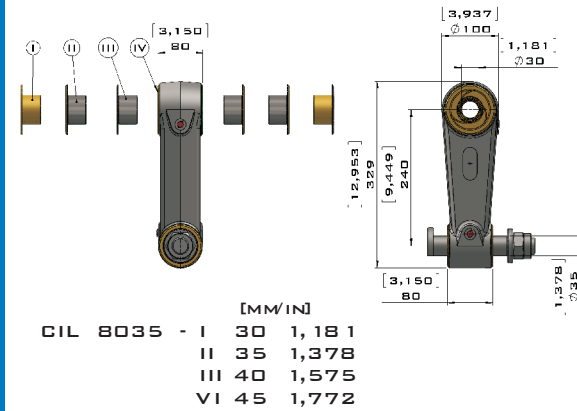
SD BOTH DIRECTION BRAKING LINK FOR PROFESSIONAL USE. AVAILABLE FOR EVERY BOOM HEAD DIMENSIONS AND CR300F/400F/500F ROTATORS.

ALSO WELDING BOOM HEAD IS AVAILABLE.

CBL - SINGLE BRAKING LINK

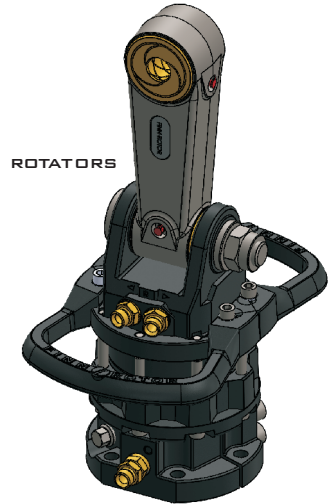


CIL80 -LINK TO CR 600 -ROTATORS



SLIDING BEARINGS FOR EVERY MOVING SURFACE.

AVAILABLE FOR ROTATORS  
CR 600  
CR 800H  
CR 1000H



FINN-ROTOR OY

WWW.FINN-ROTOR.RU

TEA: +7 (495) 787-0 1-89

E-MAIL: INFO@FINN-ROTOR.RU